

Issued Date : 17,Dec,2004

Issued No. : 041217 M4

Messrs :

Temperature Compensated Crystal Oscillator
(VC-TCXO / TCXO)

KT21P-DCV28A-26.000M-T

Technical Specification

Preliminary

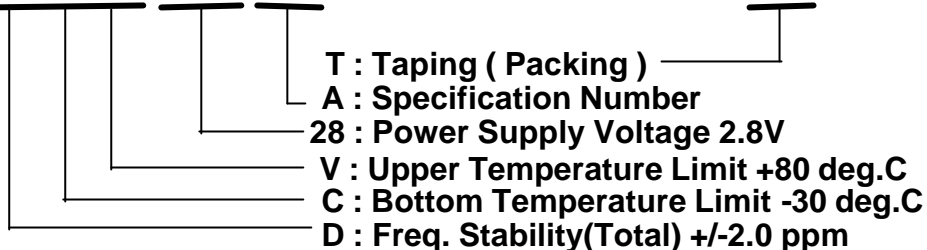
KYOCERA KINSEKI Corporation

KAGOSHIMA KOKUBU Plant

TCXO Engineering Department

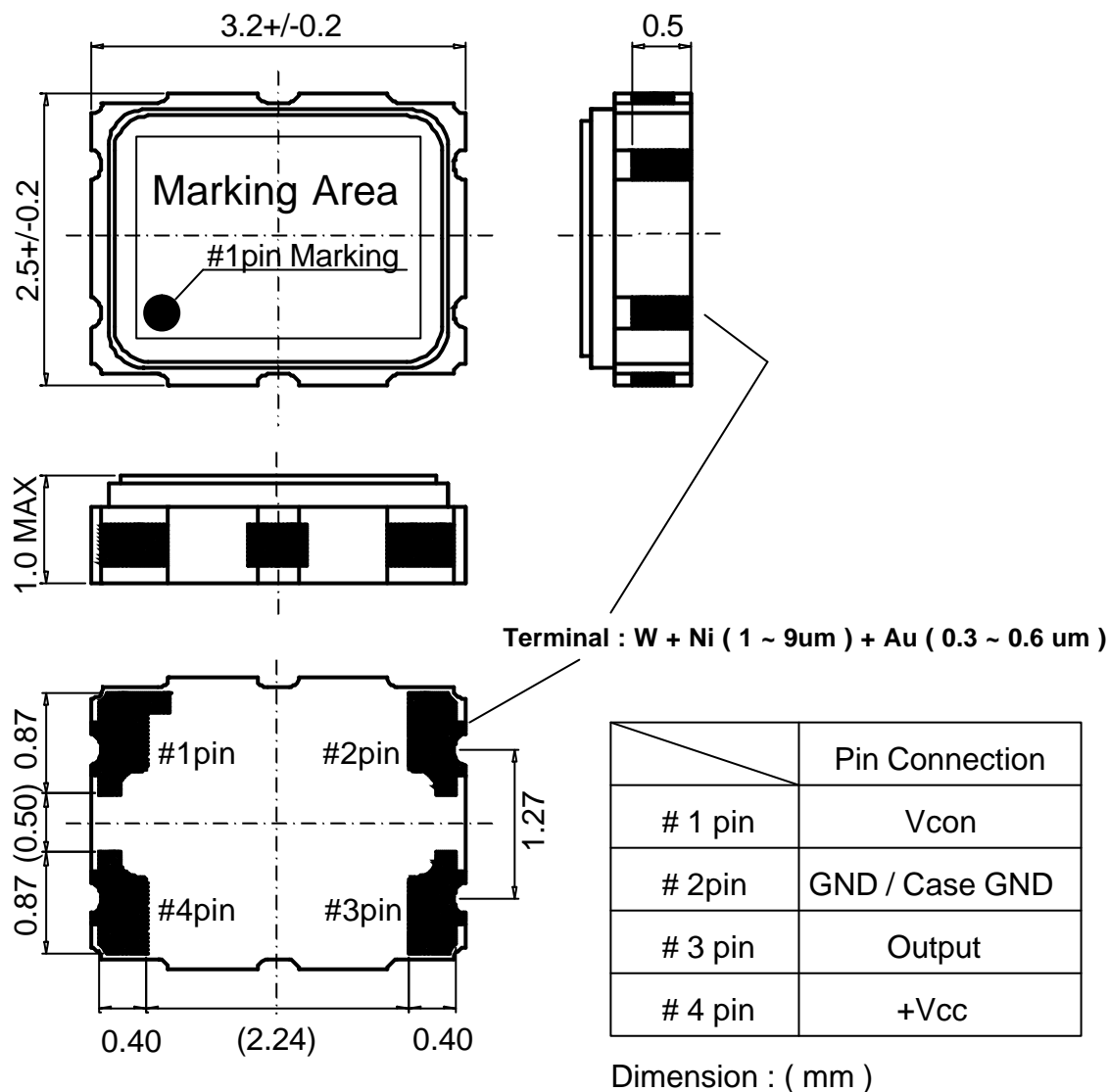
TCXO KT21 Parts Number

KT21P – DCV 28 A – 26.000M – T

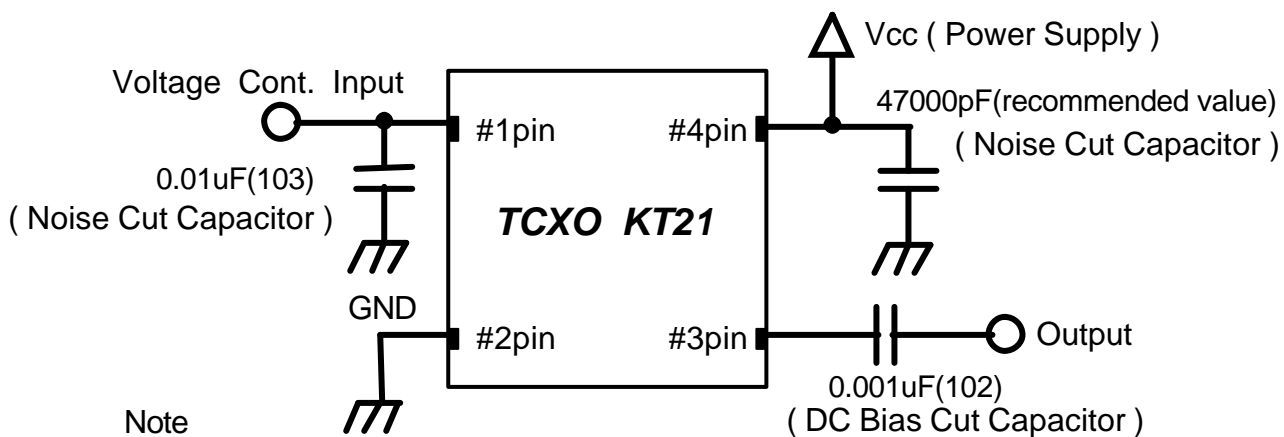


Symbol	Item	Condition	Specification	Unit	Remarks
Vcc	Power Supply Voltage		2.8+/-0.1	V	
F0	Nominal Frequency		26.000000	MHz	
Topr	Operating Temperature		-30 to +80	deg.C	
Tstg	Storage Temperature		-40 to +85	deg.C	
Vout	Output Voltage	Load:10pF/10k ohm	0.8(min)	Vp-p	Ta=-30 to 80deg.C DC BIAS
Icc	Power Supply Current		1.7(max)	mA	
f0	Frequency Tolerance	Preset Frequency and after Reflow soldering	+/-1.5	ppm	Ta=25+/-2deg.C Vcon:1.5V
df/F	Frequency Stability	vs Temp -30 to +80deg.C	+/-2.0	ppm	
		vs Load 10pF+/-10% 10Kohm+/-10%	+/-0.3	ppm	
		vs Voltage 2.8V+/-0.1V	+/-0.3	ppm	
dfag	Frequency Aging Rate	Ta=25+/-2deg.C	+/-1.0	ppm/Y	One Year
Vimp	Vcon Input Impedance		0.8 to 1.4	M ohm	
df/V	Voltage Control Range	Vcon=0.5V	-12.0 to -5.0	ppm	ref:Vcon=1.5V
		Vcon=2.5V	+5.0 to +12.0	ppm	
Tst	Start up Time	90%*Vp-p(min)	3.0(max)	msec	
		Within +/-2.0ppm			
---	Harmonics		-5.0(max)	dBc	
---	SSB Carrier Noise	@100Hz offset	-105(max)	dBc/Hz	

TCXO KT21 Dimensions & Pin Connections



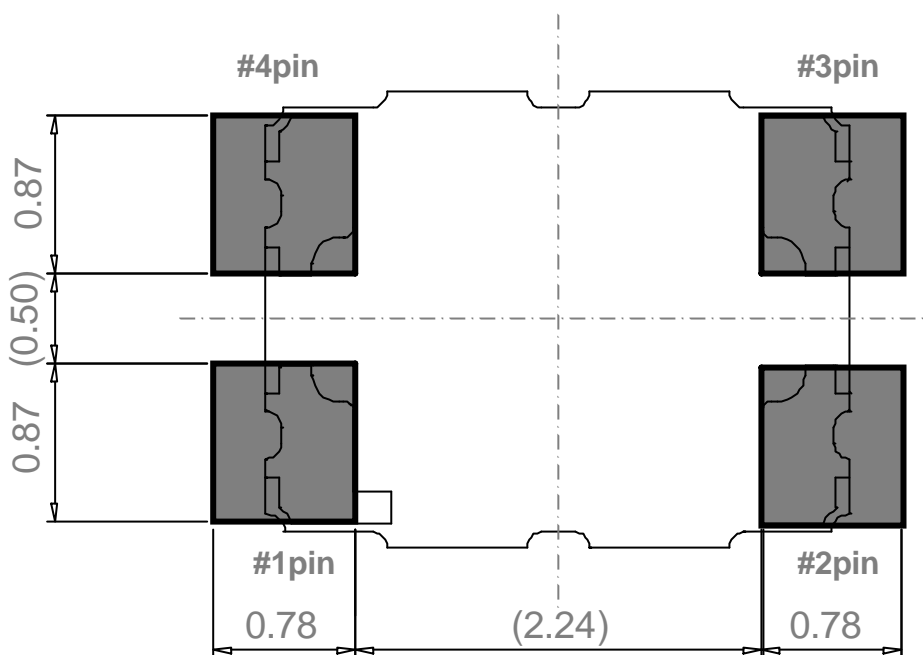
TCXO KT21 Recommended Circuit



Note

Because Noise Cut Capacitor change by the set, please confirm it

TCXO KT21 Recommended Land Pattern



Dimension : (mm)

TCXO KT21 Recommended Reflow Soldering Condition (Lead Free Version)

